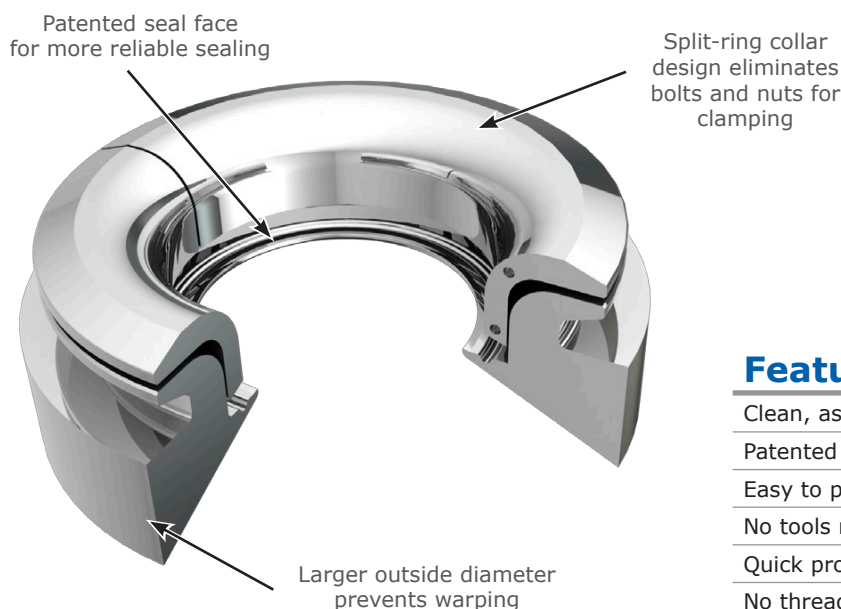


The QUICKONNECT™ Close Couple Aseptic Connector

ASEPCO
High Purity Valves and
Magnetic Mixers

Designed for Critical Aseptic Processing Applications

ASEPCO close connects are for connecting flush-mounted probes, instruments, and valves to tanks. They are easier to install and clean than alternative connectors, and they have ASEPCO's patented aseptic seal, which is based on the same reliable seal that you find in our valves.



Features

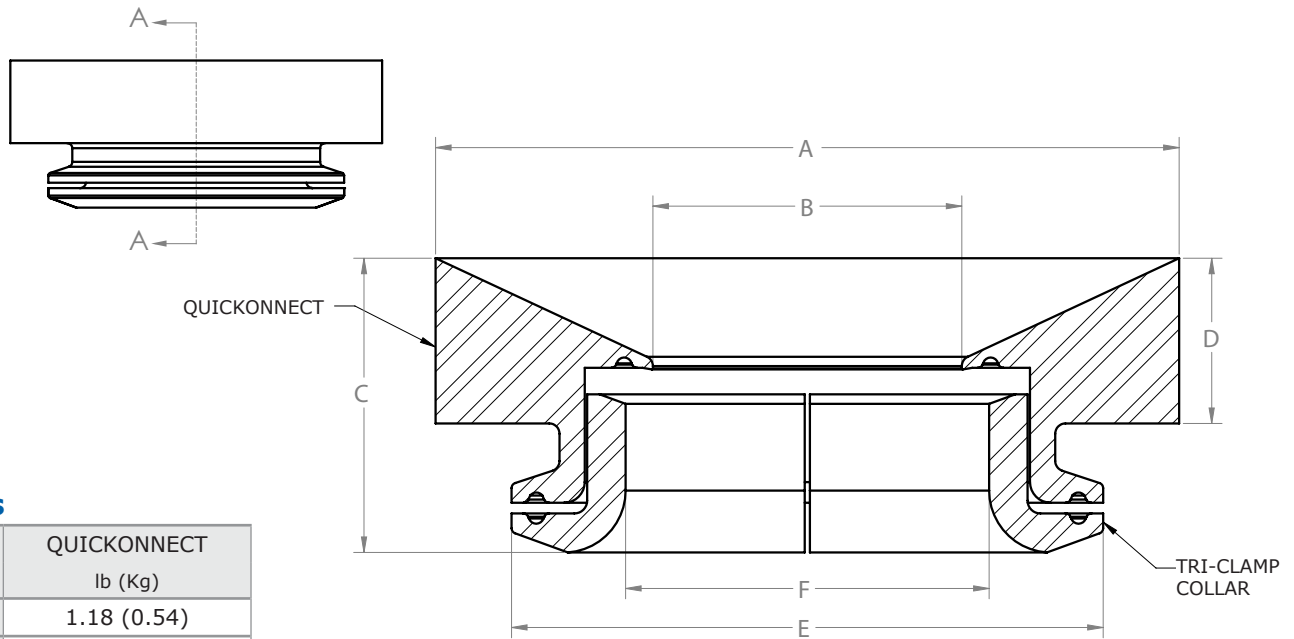
- Clean, aseptic design
- Patented compound gasket
- Easy to place, seal, inspect
- No tools required
- Quick product changeover
- No threaded parts — no galling
- Flush mount design
- Large outer diameter

QUICKONNECT Specifications

Material	316L, AL6XN, or Hastelloy
Surface Finish	Max 20 micro-inch Ra (0.5 μm Ra), Electropolished Max 15 micro-inch Ra (0.375 μm Ra), Electropolished Max 10 micro-inch Ra (0.25 μm Ra), Electropolished
Sizes	3/8" through 4"
Thickness	1" standard height, custom heights available upon request
Connection	Tri-clamp component connection
Design Pressure	-14.5 to 101.5 psig (Maximum working pressure is determined by the design pressure of the gasket being used in the assembly.)
Design Temperature	-80 to 200°C (Maximum working temperature is determined by the design pressure of the gasket being used in the assembly.)
Marking	Each connector is marked for full material traceability
ISO	All product and procedures are governed by our ISO Quality Assurance Program
Standards	BPE, CE-PED, ASME

Please contact our Customer Service Department for any non-standard valve requirement (800) 882-3886.

QUICKCONNECT Dimension & Weight Specifications



Weights

Size inches	QUICKCONNECT lb (Kg)
0.375	1.18 (0.54)
0.50	1.18 (0.54)
0.75	1.18 (0.54)
1.00	3.10 (1.41)
1.50	2.90 (1.32)
2.00	3.45 (1.56)
2.50	4.76 (2.16)
3.00	4.75 (2.15)
4.00	8.91 (4.04)

QUICKCONNECT Dimensions

Model #	Size	A	B	C	D	E	F
QC04-0001	0.375	2.390 (60.7)	0.275 (6.99)	1.700 (43.2)	1.000 (25.4)	1.990 (50.5)	0.800 (20.3)
QC05-0001	0.500	2.390 (60.7)	0.370 (9.4)	1.700 (43.2)	1.000 (25.4)	1.990 (50.5)	0.800 (20.3)
QC08-0001	0.750	2.390 (60.7)	0.620 (15.75)	1.700 (43.2)	1.000 (25.4)	1.990 (50.5)	0.800 (20.3)
QC10-0001	1.000	3.955 (100.5)	0.870 (22.1)	1.700 (43.2)	1.000 (25.4)	3.051 (77.5)	1.720 (43.7)
QC15-0001	1.500	3.955 (100.5)	1.370 (34.8)	1.700 (43.2)	1.000 (25.4)	3.051 (77.5)	1.720 (43.7)
QC20-0001	2.000	4.500 (114.3)	1.870 (47.5)	1.781 (45.2)	1.000 (25.4)	3.580 (90.9)	2.200 (55.9)
QC25-0001	2.500	5.124 (130.1)	2.370 (60.2)	1.776 (45.1)	1.000 (25.4)	4.682 (118.9)	2.720 (69.1)
QC30-0001	3.000	5.630 (143.0)	2.870 (72.9)	1.796 (45.6)	1.000 (25.4)	4.682 (118.9)	3.220 (81.8)
QC40-0001	4.000	6.900 (175.3)	3.835 (97.4)	2.023 (51.4)	1.000 (25.4)	6.570 (116.9)	4.220 (107.2)

Dimensions are in inches (mm).