

The ASEPCO Inline Radial-Diaphragm™ Valve

Designed for Critical Aseptic Processing Applications

ASEPCO radial-diaphragm valves are specifically designed for applications where leakage, dead legs, and cross-contamination are unacceptable, just like ASEPCO's original Tank-Bottom Valve. We've applied our contamination-free, radial-diaphragm technology and easy-to-use clamp assembly to an inline valve configuration, creating a reliable valve that is easy to assemble and inspect.

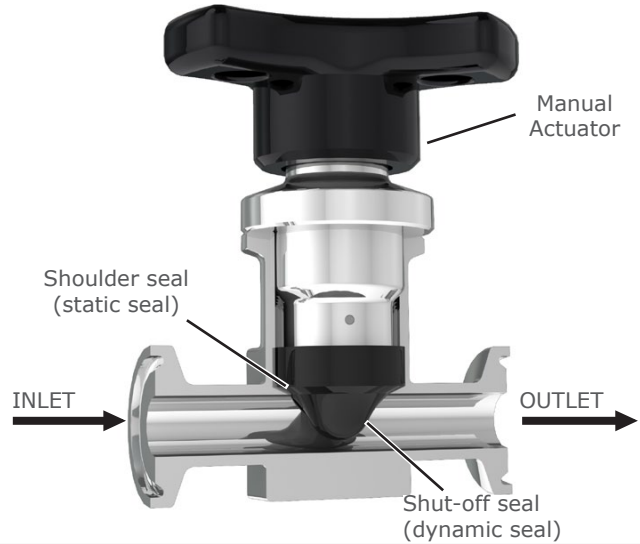
ASEPCO

High Purity Valves and
Magnetic Mixers

Features

- Radial-diaphragm
- Clean, self-draining design
- Simple clamp assembly
- Integral travel stops
- Patented shoulder seal
- Isolates process fluids absolutely
- Drains fully in multiple orientations
- Easy to seal and inspect
- Up to 80% reduction in maintenance costs
- Reduced down-time when changing diaphragms
- Never needs re-tightening or adjustment
- Color code with any of 7 valve handle colors

Specifications



Valves

Material	316L, AL6XN, Hastelloy Machined from solid, hot-rolled, bar stock or forgings
Surface Finish	Max 20 micro-inch Ra (0.5 µm Ra), Electropolished Max 15 micro-inch Ra (0.375 µm Ra), Electropolished Max 10 micro-inch Ra (0.25 µm Ra), Electropolished
Sizes	1/2 Compact, 1/2, 3/4, 1, and 1.5 inch
Available Connections	Hygienic clamp, tube-end
Handle Colors	Standard: 1/2, 3/4, 1, and 1.5 inch black On request: blue, red, yellow, amber, green, purple
Maximum Pressure	150 psi
Maximum Temperature	135°C/275°F
Marking	Each valve is serialized and marked for full material traceability
ISO	All product and procedures are governed by our ISO Quality Assurance Program
Standards	BPE, CE-PED, ASME

Actuators

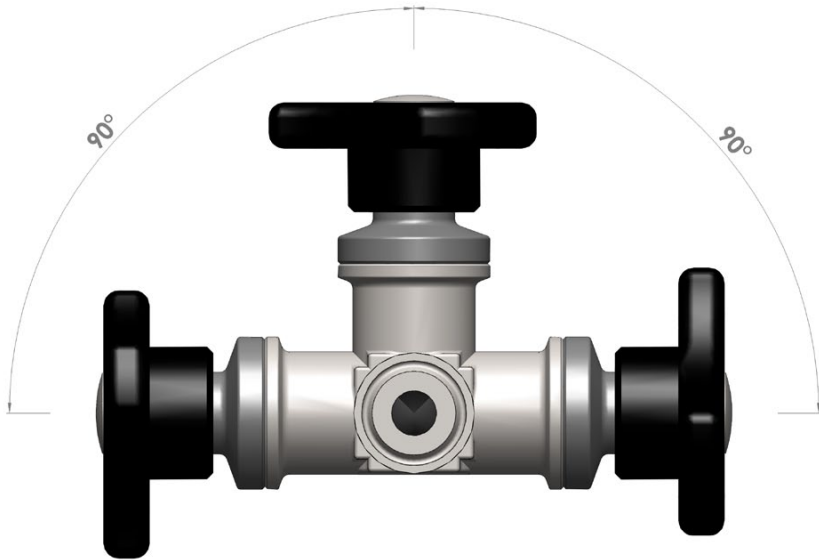
Types	Manual or pneumatic Fail open or closed
Material	Base is 304 stainless, manual handle is PES, pneumatic housing is PPS
Size	1/2, 3/4, 1, and 1.5 inch
Operating Air Pressure	100psi max for Pneumatic Actuators
Seals	Teflon bushings and o-rings
Fitting	1/8" NPT air connection (for pneumatic)
Possible Instrumentation	Switched With or without solenoids With or without DeviceNet cards

Diaphragms

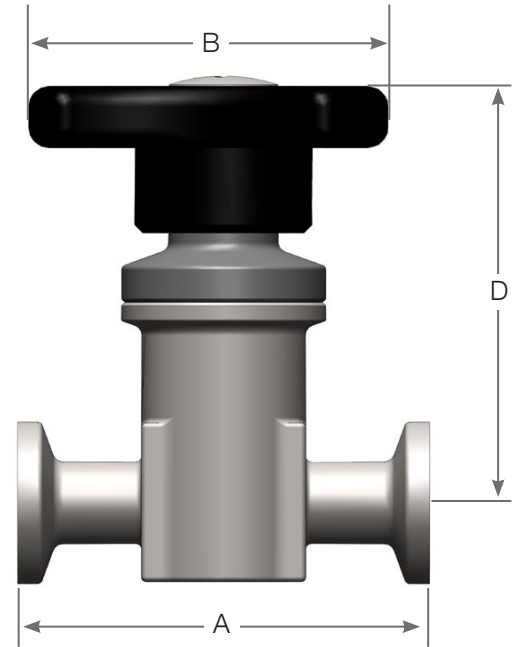
Materials	EPDM	EPDM Plus
Temperature Range	-30 to 275°F	-30 to 275°F
Class	USP Class VI, 21 CFR 177.2600	USP Class VI, 21 CFR 177.2600
Parylene Treatment	-	√

Please contact our Customer Service Department for any non-standard valve requirement (800) 882-3886.

Inline Valve Dimensions, Flow Rates, and Weights Specifications



Fully drainable at multiple installation angles



Inline Valve Flow Rates

Size inches	Cv at 1 psi (0.07 bar) GPM (LPM)
0.50 Compact	4.70 (17.8)
0.50	4.70 (17.8)
0.75	9.51 (36)
1.00	18.49 (70)
1.50	27.47 (104)

Weights

Size inches	Valve Body lb (Kg)	Total Weight with Manual Actuator lb (Kg)	Total Weight with Pneumatic Actuator lb (Kg)
0.50 Compact	0.30 (0.14)	0.95 (0.43)	1.50 (0.68)
0.50	0.35 (0.16)	1.00 (0.45)	1.55 (0.70)
0.75	1.20 (0.55)	1.75 (0.80)	3.65 (1.66)
1.00	2.10 (0.95)	3.60 (1.64)	6.70 (3.05)
1.50	2.90 (1.32)	4.40 (2.00)	10.80 (4.91)

Inline Valve Dimensions

Size inches	A	B- with Manual Actuator	B- with Pneumatic Actuator	D - with Manual Actuator	D - with Pneumatic Actuator
0.50 Compact	2.50 (63.50)	2.40 (60.96)	2.08 (52.83)	2.53 (64.26)	5.27 (133.88)
0.50	3.50 (88.90)	2.40 (60.96)	2.08 (52.83)	2.53 (64.26)	5.27 (133.88)
0.75	3.00 (76.20)	2.40 (60.96)	3.10 (78.74)	2.90 (73.66)	6.70 (170.18)
1.00	4.50 (114.30)	2.60 (66.04)	3.10 (78.74)	4.10 (104.14)	7.50 (190.50)
1.50	5.50 (139.70)	2.60 (66.04)	6.20 (157.48)	4.10 (104.14)	12.90 (327.66)

Dimensions are in inches (mm).