

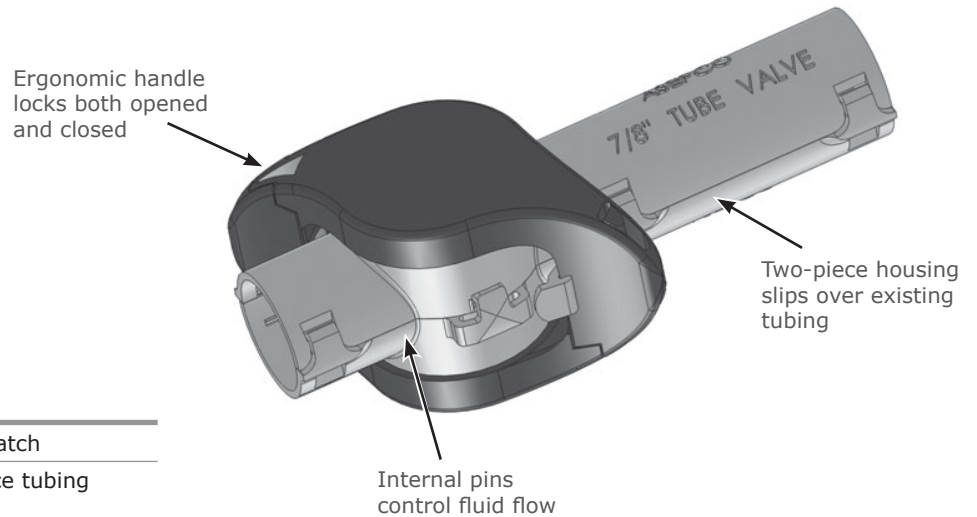
The ASEPCO Bi-Pin Pinch™ Valve

Designed for Single-Use Systems

ASEPCO Bi-Pin Pinch Valves are specifically designed for single-use systems. The Bi-Pin design (patent pending) reduces stress on tubing and provides an easy on/off valve solution.

ASEPCO

High Purity Valves and
Magnetic Mixers



Features

- Lock open / lock close latch
- Two-pin design to reduce tubing stress
- Two-piece construction to assemble over existing tubing
- Low-cost disposable design
- Click-when-closed gives operator feedback
- Superior mechanical advantage to seal reinforced tubing
- Engineered closed-position design eliminates leaking

Specifications

Valves

| | |
|---------------------|--|
| Material | Nylon 6 |
| Sizes | 7/8" OD reinforced tubing |
| Maximum Pressure | 50 psi |
| Maximum Temperature | 177°C/350°F short term, 77°C/170°F long term |
| ISO | All product and procedures are governed by our ISO Quality Assurance Program |

Please contact our Customer Service Department for any non-standard valve requirement (800) 882-3886.

Dimensions

| Tube Housing ID | Overall Length |
|-----------------|----------------|
| inches (mm) | inches (mm) |
| 0.875 (22.2) | 5.0 (127) |

Weights

| Size | Valve Body |
|--------------|------------|
| inches (mm) | ounces (g) |
| 0.875 (22.2) | 2.5 (70) |

ASEPCO

www.asepco.com
We make it right.

ASEPCO Corporation
355 Pioneer Way
Mountain View, CA 94041

Phone: (800) 882-3886
(650) 691-9500

Fax: (650) 691-9600